





NEW! EFB ELECTRONIC FILL & BLEED CIRCUITS

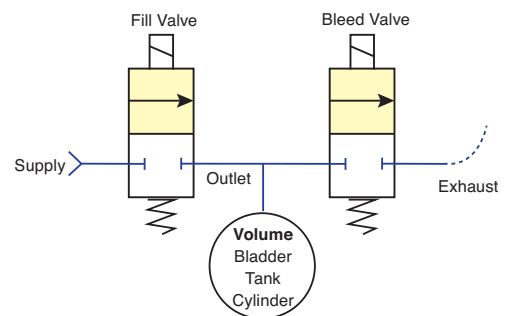


A Fill and Bleed Circuit is a combination of pneumatic valve components used to inflate a volume or apparatus in one controllable function, and to release or vent pressure in a second controllable function.

In-Line Mount	Flow	Max. Pressure			Voltage		Part No.	Valve
		100 psig	50 psig	25 psig	12 VDC	24 VDC		
	100 l/min @ 100 psig	•			•		EFB-1DV-12	DV-2M-12
		•			•	•	EFB-1DV-24	DV-2M-24
	80 l/min @ 50 psig		•		•		EFB-1DV-12-L	DV-2M-12-L
			•		•	•	EFB-1DV-24-L	DV-2M-24-L
	13 l/min @ 25 psig			•	•		EFB-1EM-12-H	EM-2-12-H
				•	•	•	EFB-1EM-24-H	EM-2-24-H
Manifold Mount 	17 l/min @ 100 psig	•			•		EFB-2EV-12	EV-2M-12
		•			•	•	EFB-2EV-24	EV-2M-24
	14 l/min @ 50 psig		•		•		EFB-2EV-12-L	EV-2M-12-L
			•		•	•	EFB-2EV-24-L	EV-2M-24-L
	13 l/min @ 25 psig			•	•		EFB-2EV-12-H	EV-2M-12-H
				•	•	•	EFB-2EV-24-H	EV-2M-24-H
	100 l/min @ 100 psig	•			•		EFB-2DV-12	DV-2M-12
		•			•	•	EFB-2DV-24	DV-2M-24
	100 l/min @ 50 psig		•		•		EFB-2DV-12-L	DV-2M-12-L
			•		•	•	EFB-2DV-24-L	DV-2M-24-L

Manifold Material: Black Anodized Aluminum

- Extremely Fast Response
- Exceptionally Long Life
- Multiple Flow & Pressure Options
- Compact, Robust Design



Metric line available. Visit www.clippard.com